

№	8728
№	48
№	57
<p>ПРОЕКТ ПОСРЕДСТВЕННОГО ПОДЪЕЗДА ПОДЪЕЗД К ПАРКОВИЩУ</p>	
№	1.100
<p>ПРОЕКТ ПОСРЕДСТВЕННОГО ПОДЪЕЗДА ПОДЪЕЗД К ПАРКОВИЩУ</p>	

ПРОЕКТ ПОСРЕДСТВЕННОГО ПОДЪЕЗДА
 ПОДЪЕЗД К ПАРКОВИЩУ
 МАСШТАБ 1:100

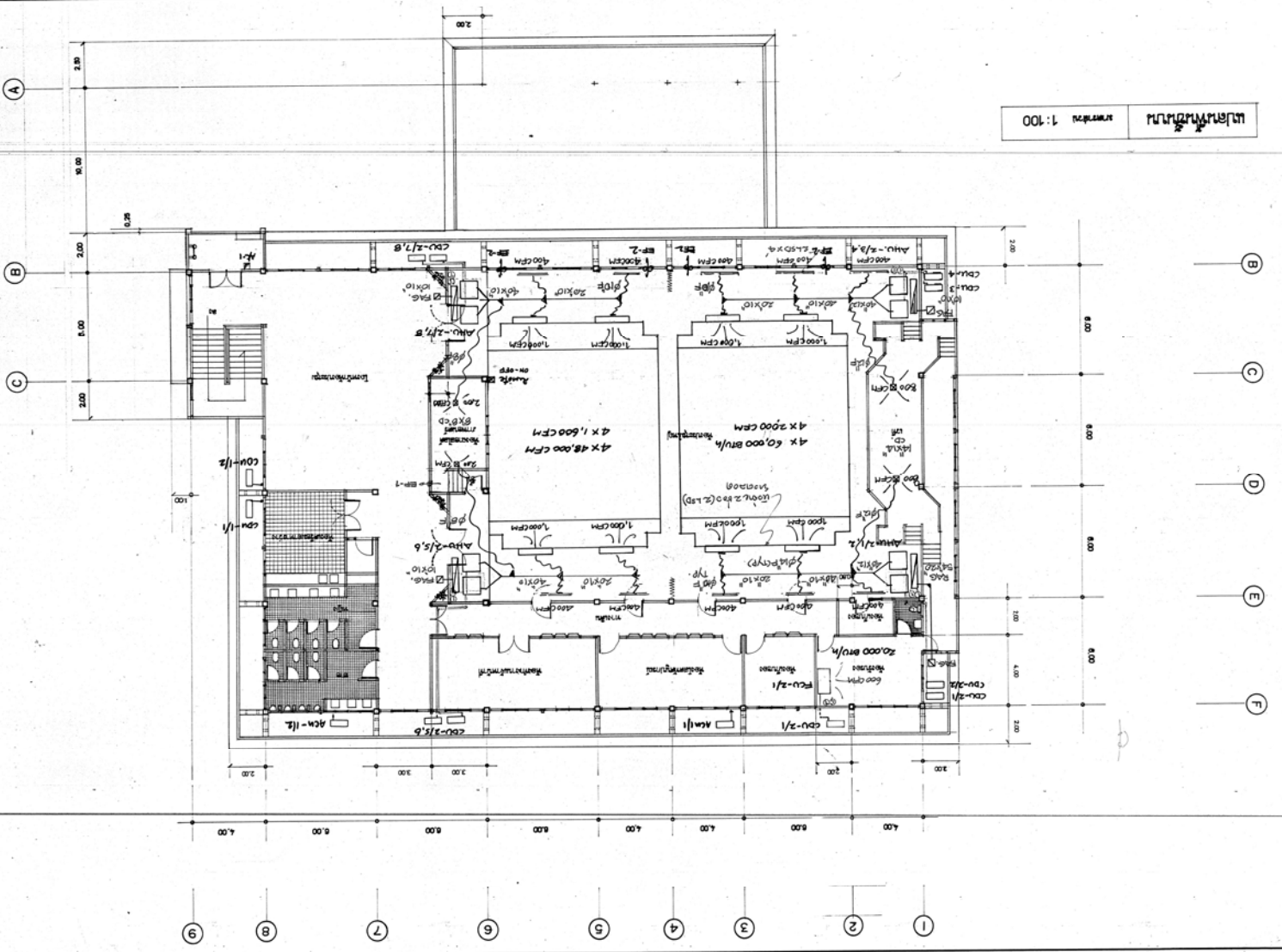
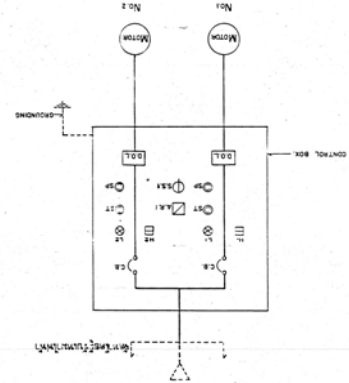


FIGURE ONE LINE DIAGRAM



1. The control box is mounted on a wall and is accessible from the front.

2. The control box is protected against fire and theft.

3. The control box is protected against dust and dirt.

4. The control box is protected against moisture and humidity.

5. The control box is protected against vibration and shock.

6. The control box is protected against noise and sound.

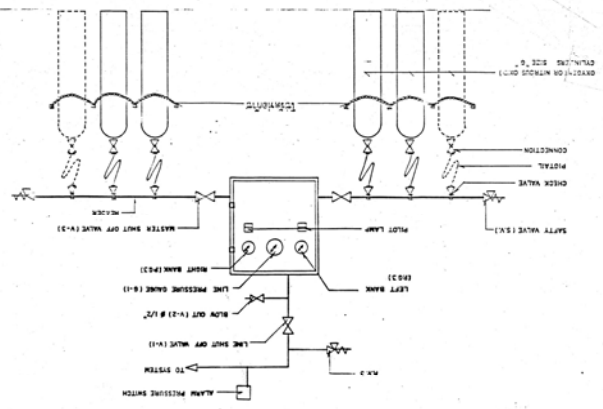
7. The control box is protected against electromagnetic interference.

8. The control box is protected against radio frequency interference.

9. The control box is protected against lightning strikes.

10. The control box is protected against static electricity.

FIGURE TWO LINE DIAGRAM



1. The water tank is mounted on a wall and is accessible from the front.

2. The water tank is protected against fire and theft.

3. The water tank is protected against dust and dirt.

4. The water tank is protected against moisture and humidity.

5. The water tank is protected against vibration and shock.

6. The water tank is protected against noise and sound.

7. The water tank is protected against electromagnetic interference.

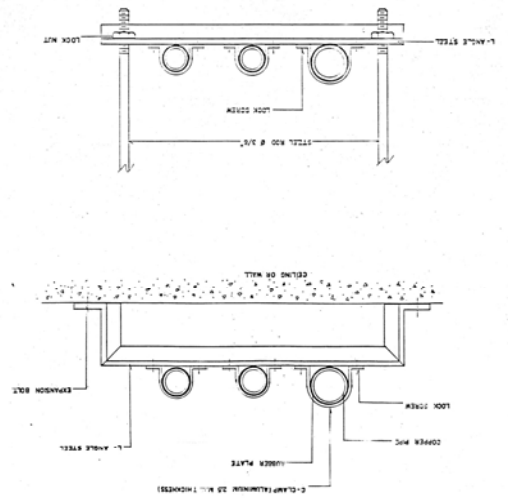
8. The water tank is protected against radio frequency interference.

9. The water tank is protected against lightning strikes.

10. The water tank is protected against static electricity.

FIGURE THREE

NOMINAL TUBE SIZE (IN.)	OUTSIDE DIAM. (IN.)	WALL THICKNESS (IN.)
1/2	5/8	0.03
3/8	1/2	0.03
1	1 1/8	0.04
1 1/4	1 5/8	0.05
1 3/4	2 1/8	0.06
2	2 5/8	0.07
2 1/2	3 1/8	0.08
3	3 5/8	0.09
3 1/2	4 1/8	0.10
4	4 5/8	0.11
5	5 1/8	0.12
6	6 1/8	0.14



8728	51	57
<p>PHYSICAL PROPERTIES OF COPPER TUBING</p> <p>TYPE 'L' 200 PSI WORKING PRESSURE</p>		