

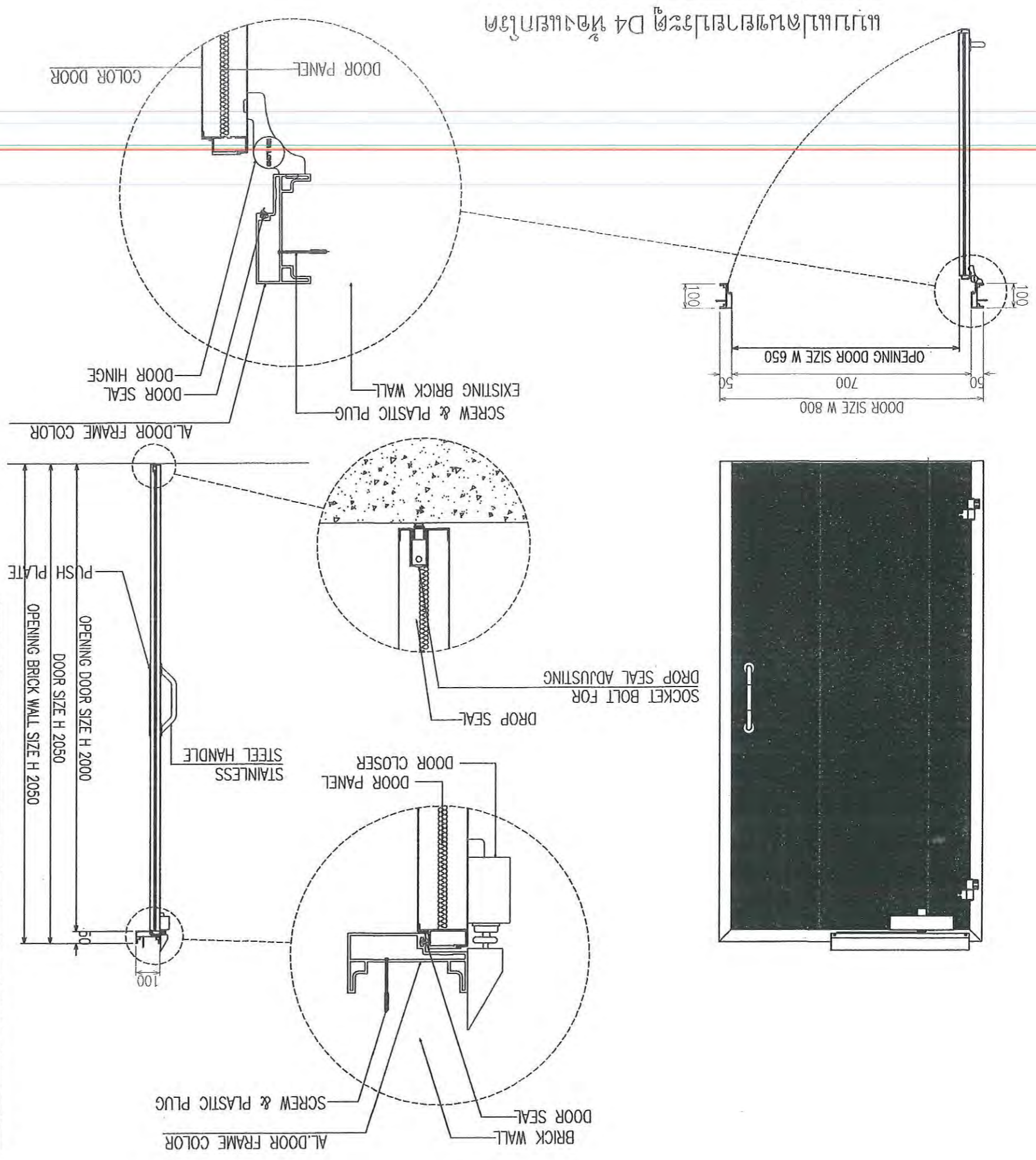






Logo of the company	
PROJECT NAME: ...	
CUSTOMER NAME: ...	
MASTER KEY: ...	
ACTION SWING: LEFT / RIGHT	
LOCKING DEVICE: ...	
DOOR CLOSER: DORMA	
HANDLE: STAINLESS STEEL HANDLE & PUSH PLATE	
WINDOW: DOUBLE GLASS (W)300x(H)600x(T)6 MM.	
FRAME: ALUMINIUM FLUSH TYPE (3 FRAMES)	
SURFACE MATERIAL: ...	
OPENING SIZE: W 650 x H 2000	
DOOR SIZE: W 800 x H 2050 x T 42 MM.	
TYPE: SINGLE SWING DOOR (FRAME 100 MM.)	
MODEL: D4	
QUANTITY: ...	
CUSTOMER MODEL: ...	
PROJECT NAME: ...	
CUSTOMER NAME: ...	
MASTER KEY: ...	
ACTION SWING: LEFT / RIGHT	
LOCKING DEVICE: ...	
DOOR CLOSER: DORMA	
HANDLE: STAINLESS STEEL HANDLE & PUSH PLATE	
WINDOW: DOUBLE GLASS (W)300x(H)600x(T)6 MM.	
FRAME: ALUMINIUM FLUSH TYPE (3 FRAMES)	
SURFACE MATERIAL: ...	
OPENING SIZE: W 650 x H 2000	
DOOR SIZE: W 800 x H 2050 x T 42 MM.	
TYPE: SINGLE SWING DOOR (FRAME 100 MM.)	
MODEL: D4	
QUANTITY: ...	
CUSTOMER MODEL: ...	
PROJECT NAME: ...	
CUSTOMER NAME: ...	
MASTER KEY: ...	
ACTION SWING: LEFT / RIGHT	
LOCKING DEVICE: ...	
DOOR CLOSER: DORMA	
HANDLE: STAINLESS STEEL HANDLE & PUSH PLATE	
WINDOW: DOUBLE GLASS (W)300x(H)600x(T)6 MM.	
FRAME: ALUMINIUM FLUSH TYPE (3 FRAMES)	
SURFACE MATERIAL: ...	
OPENING SIZE: W 650 x H 2000	
DOOR SIZE: W 800 x H 2050 x T 42 MM.	
TYPE: SINGLE SWING DOOR (FRAME 100 MM.)	
MODEL: D4	
QUANTITY: ...	
CUSTOMER MODEL: ...	
PROJECT NAME: ...	
CUSTOMER NAME: ...	
MASTER KEY: ...	
ACTION SWING: LEFT / RIGHT	
LOCKING DEVICE: ...	
DOOR CLOSER: DORMA	
HANDLE: STAINLESS STEEL HANDLE & PUSH PLATE	
WINDOW: DOUBLE GLASS (W)300x(H)600x(T)6 MM.	
FRAME: ALUMINIUM FLUSH TYPE (3 FRAMES)	
SURFACE MATERIAL: ...	
OPENING SIZE: W 650 x H 2000	
DOOR SIZE: W 800 x H 2050 x T 42 MM.	
TYPE: SINGLE SWING DOOR (FRAME 100 MM.)	
MODEL: D4	

MODEL: D4
TYPE: SINGLE SWING DOOR (FRAME 100 MM.)
DOOR SIZE: W 800 x H 2050 x T 42 MM.
OPENING SIZE: W 650 x H 2000
SURFACE MATERIAL: ...
FRAME: ALUMINIUM FLUSH TYPE (3 FRAMES)
WINDOW: DOUBLE GLASS (W)300x(H)600x(T)6 MM.
HANDLE: STAINLESS STEEL HANDLE & PUSH PLATE
DOOR CLOSER: DORMA
LOCKING DEVICE: ...
ACTION SWING: LEFT / RIGHT
MASTER KEY: ...
CUSTOMER NAME: ...
PROJECT NAME: ...
CUSTOMER MODEL: ...
QUANTITY: ...



แบบแปลนประตู D4 ห้องแยกโรค



















